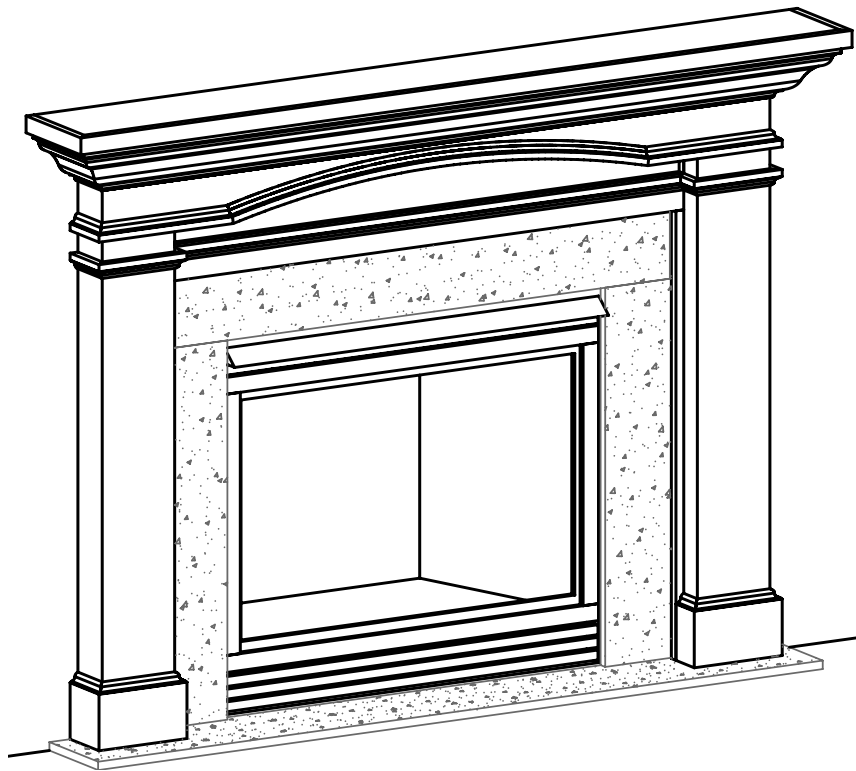




**PLEASE READ**

These instructions apply only to the cabinetry and facing material that will surround the firebox.

**PLEASE SEE THE FIREPLACE MANUFACTURER'S INSTALLATION INSTRUCTIONS TO ENSURE THAT ALL CLEARANCE AND INSTALLATION REQUIREMENTS ARE BEING MET.**



**Notice !!**

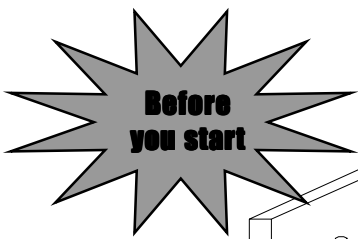
For field finishing the following two products have been approved for use on this product:

1. Lacquer - Sherwin Williams "Wood Classics A68F90".
2. Paint - Sherwin Williams "Duration Home A98W151 Interior Latex Paint".

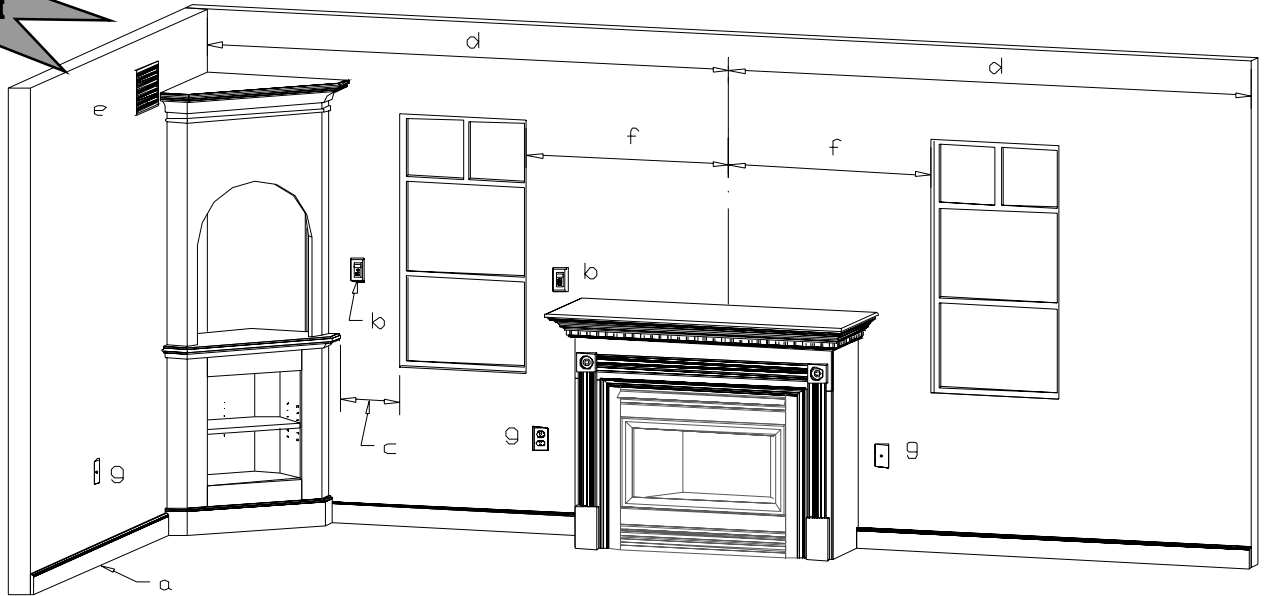
All other products may result in discoloration or undesired results.

**Warning !!**

- Improper installation, adjustment, can cause injury or property damage. For assistance or additional information, consult a qualified installer, service agency, or the gas supplier.
- Comply with all minimum clearances to combustibles as specified in firebox manual. Failure to comply may cause house fire.



The walls and floor in the area of the installation should be clean, plumb and level. Any major deviation should be remedied before installing the fireplace, marble or the mantel /cabinet.



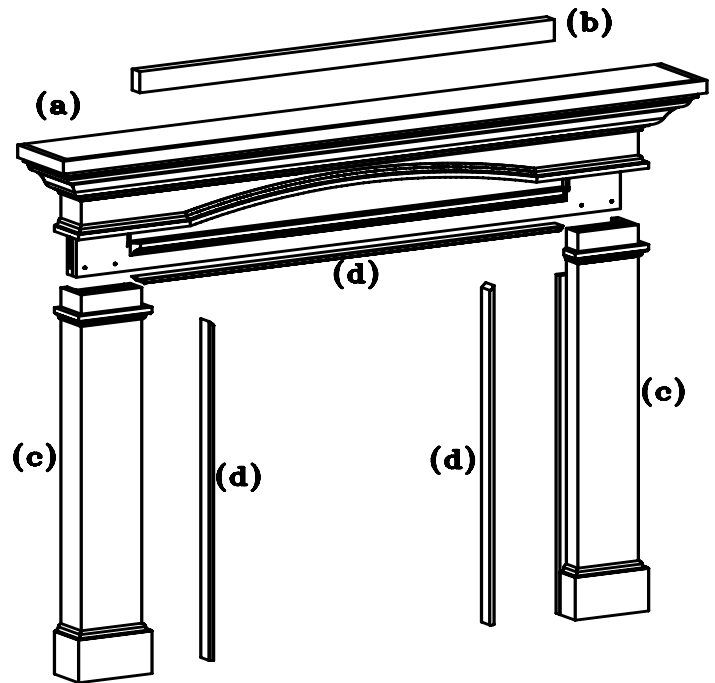
Above is a diagram of issues that may prevent an installation of wood products around a firebox:

- a. Is base molding already installed?
- b. Where are the electrical outlets or firebox switch?
- c. Is there enough distance between windows and edge of cabinet?
- d. Is the fireplace centered between walls?
- e. Return air vent location?
- f. Is the fireplace centered between windows?
- g. Where are the electrical & cable outlets positioned?
- h. Is there hardwood or carpet going in?

### Parts List and Diagram

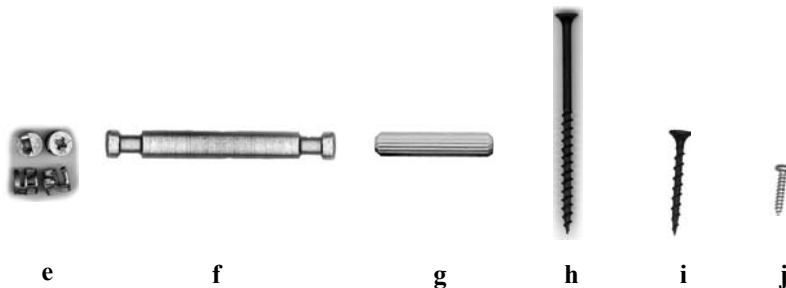
#### **MANTEL PARTS:**

- |                                   |     |
|-----------------------------------|-----|
| 1 Top assembly                    | (a) |
| 1 Ledger board                    | (b) |
| 1 Left leg assembly               | (c) |
| 1 Right leg assembly              | (c) |
| 3 Left, right, top scribe molding | (d) |
| 4 Cams (installed)                | (e) |
| 2 Double head pins (installed)    | (f) |
| 4 Wooden dowels (installed)       | (g) |
| 2 3.0" Drywall screws             | (h) |
| 12 1.25" Drywall screws           | (i) |
| 7 #6 5/8" screws                  | (j) |
| 12 4D Finishing nails (not shown) |     |
| 2 Back panel (not shown)          |     |



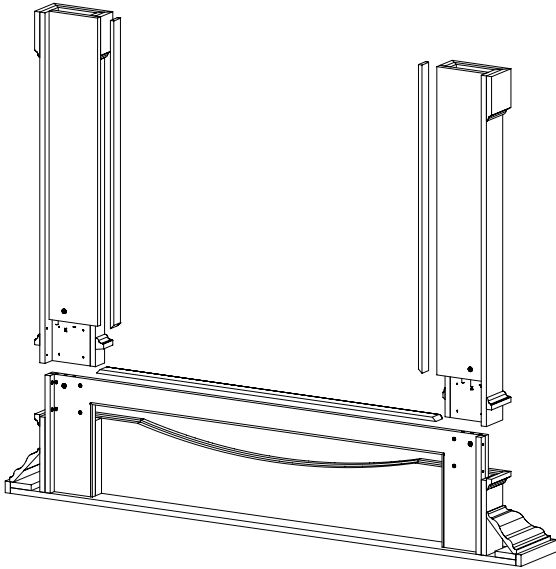
#### **Tools and supplies needed:**

- #2 Philips screwdriver
- Carpenter's level
- Tape measure, pencil
- Construction adhesive
- Shim material
- Portable drill
- 1/16" drill bit
- Flat head screwdriver
- Hammer
- High temp. silicon adhesive
- Stud finder
- nail set



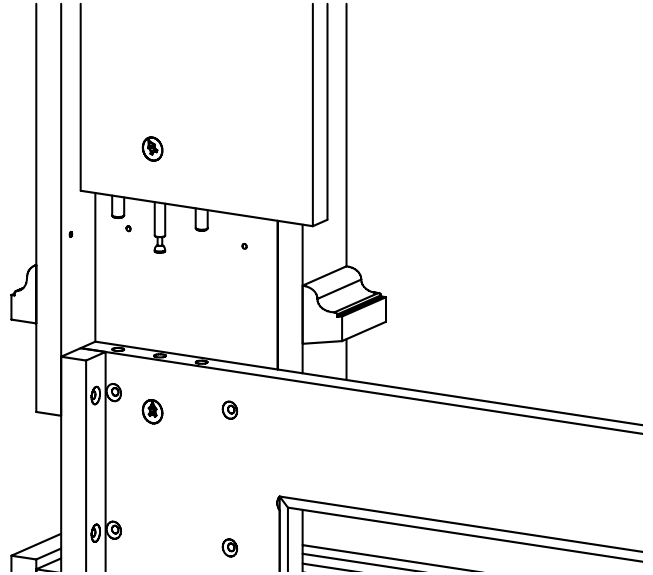
# Assembly steps

1.



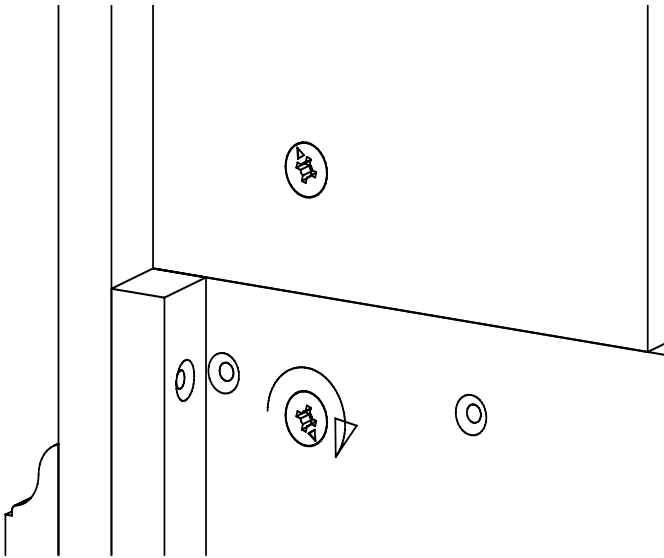
Position the top assembly (a) of mantel upside down on a flat, clean, non-abrasive surface. If scribe molding (d) was shipped attached to the leg and breast board, remove it before beginning assembly. Pry gently from the rear with a flat screwdriver.

2.



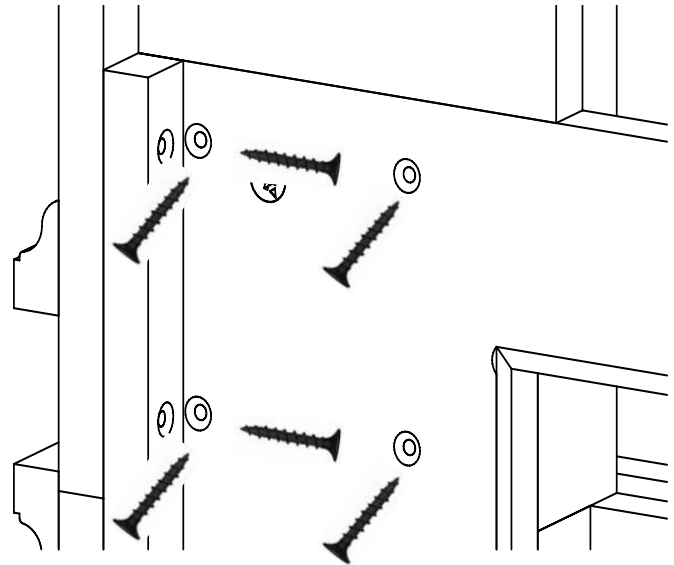
Attach one leg assembly (c) to breastboard assembly by inserting dowels and cam pin into matching holes on ends of breastboard. Before inserting, make sure that the arrow on the cam in breastboard points toward the edge of board as shown in inset. (Dowels and cam pins are shipped pre-inserted in the end of the leg assembly.)

3.



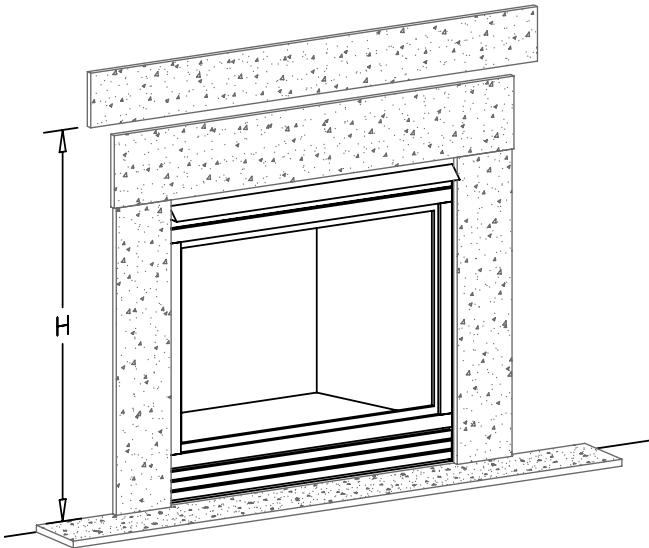
Push down on the leg until dowels are fully inserted into the breastboard and there is no gap between leg and breastboard. Using a philips screwdriver, turn the cams in breastboard clockwise until snug. Do not rely on the cam to pull the two together. **Do not over-tighten**, as too much torque can break the cam. Repeat the last two steps for the other leg.

4.



Additional strength can be added to the assembly by inserting (8) 1.25" drywall screws through the predrilled holes on the breast board and (4) 1.25" drywall screws through the side returns, Make sure the seams and edges are tight and square.

5.



The Portico Mantel's design allows viewing straight through to the wall. An additional (57x6) marble/granite piece can be installed to carry the natural stone theme throughout the surround. The additional piece will need to be installed **BEFORE** the mantel is attached to the wall.

The position of additional marble/granite piece depends of the mantel size.

The dimension "H" should be:

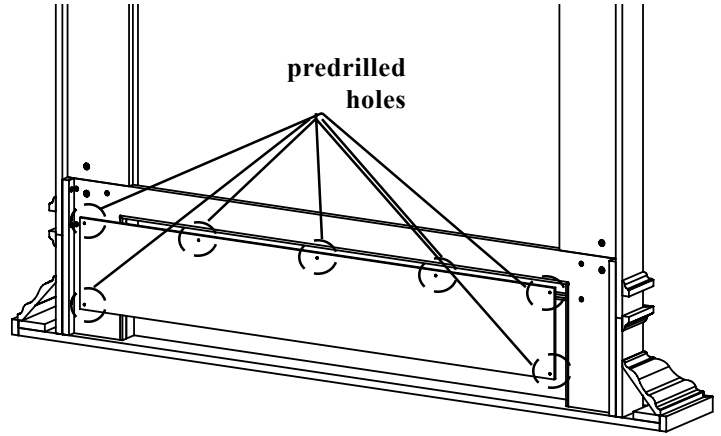
"A" size mantel - 40"

"B" size mantel - 43"

"C" size mantel - 45.5".

If additional marble/granite piece is being used, skip step 6.

6.

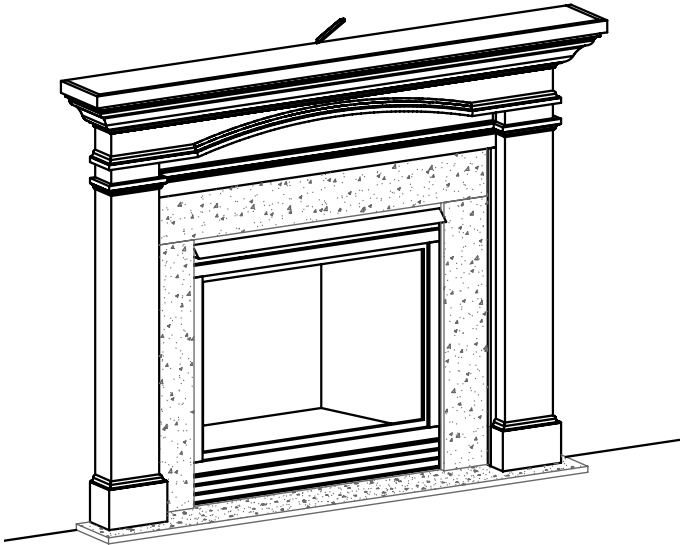


The Portico mantel comes standard with (2) removable back panels which enables the user to choose between a natural stained wood look or a matching wall painted look.

**Note: When choosing which panel to use, please decide with the understanding that the panels (Can Not) be easily interchanged without damage to the surrounding wall or mantel.**

Before installing the mantel on the wall, notify the installing company which panel you wish to have facing forward. Attach with (7) #6 5/8" screws through predrilled holes

7.

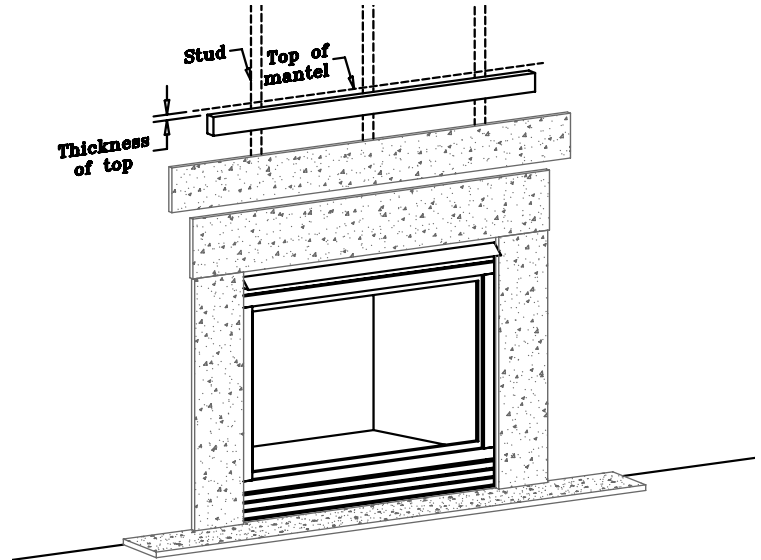


Position and center the mantel over the fireplace. Using a sharp pencil, draw a line across the back edge of the mantel top. Have someone hold the mantel tightly against the wall while you view it from all sides to make sure everything is fitting properly and that visible portions of marble legs are equal. The inner edge of the mantel should lap the outer edge of the surround material around the firebox. Remember that the scribe will close the gap between mantel and stone and cover another 1/2" of the stone once it is installed.

Also check the outer edge of mantel where it fits against the wall to see that there are no excessively large gaps. Small gaps will be filled later with caulk. Any large gaps (more than 3/16") may require that you trim the mantel return to conform to the irregularities in the wall, or that you consider straightening the wall before you install the mantel.

Carefully remove the mantel.

8.

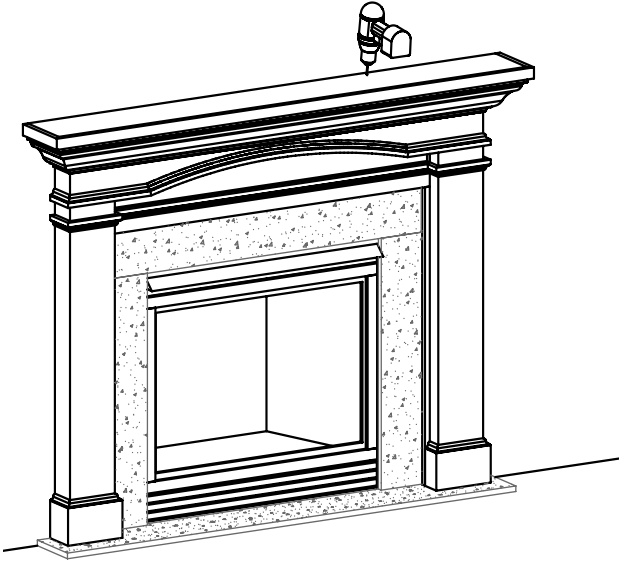


Measuring down from the first line the thickness of the mantel top, mark two points and draw a second line. This line positions the top of the ledger board.

Using a stud finder or other method, mark off the location of the vertical studs below the two horizontal lines. From the center of the fireplace, mark off the center point in which the ledger board needs to be mounted. Attach the ledger board using (2) 3" dry-wall screws (provided) into pre-marked stud locations.

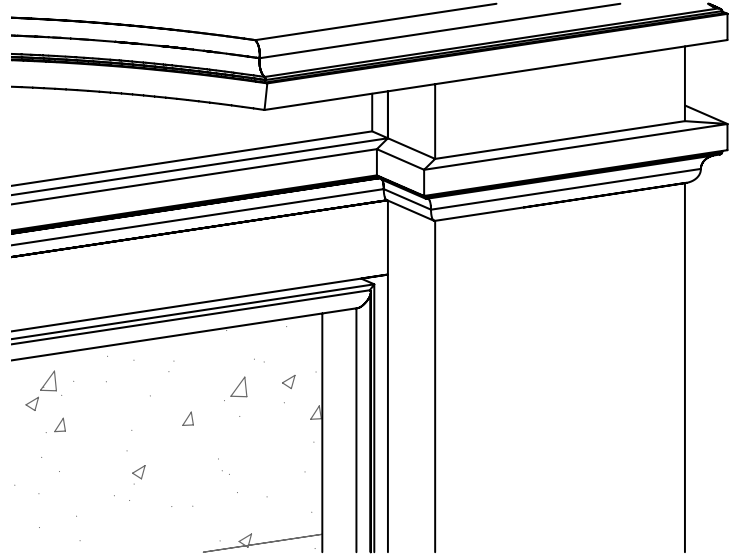
**If the ledger board is not centered above the fireplace it WILL NOT fit behind the mantel.**

9.



Center and place mantel on wall overlapping the noncombustible facing material with the top resting on the ledger strip. Using an electric drill, predrill 1/16" holes down through the top into the ledger strip. The holes should be drilled 1" off of the back edge of the top. Attach the mantel to the ledger board using (3) 4D finishing nails (provided) through predrilled holes. Use a nail set to set the nail head below surface of mantel, and fill the resulting hole with an appropriate filler.

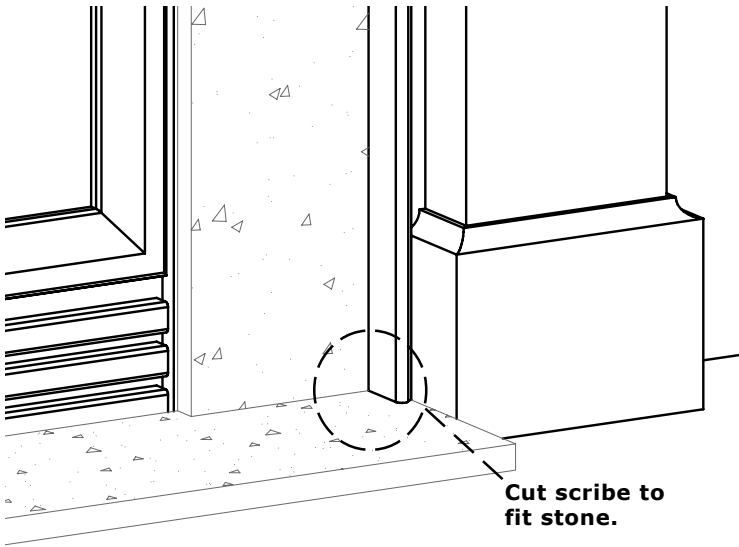
10.



**CAUTION: ALDER IS A HARD WOOD AND PRONE TO SPLITTING. IF THIS MANTEL IS MADE FROM ALDER IT IS RECOMMENDED TO PREDRILL 1/16" HOLES ON THE INSIDE SCRIBE PIECES PRIOR TO ATTACHING THEM TO THE MANTEL TO AVOID SPLITTING.**

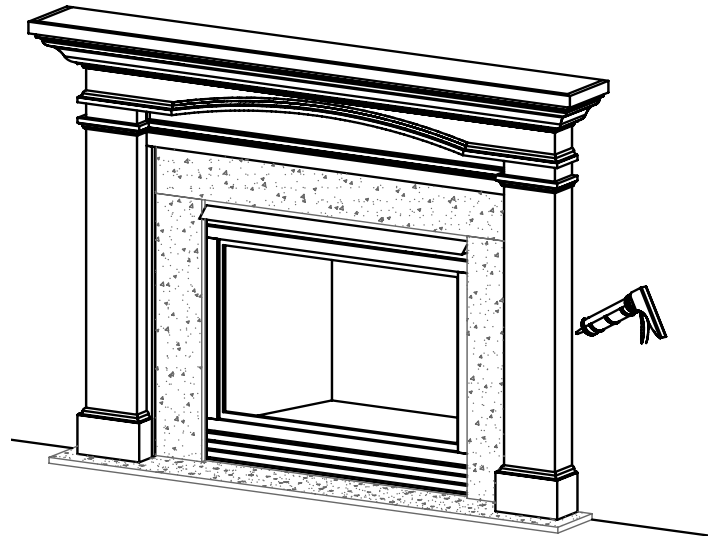
Attach the scribe, making sure it is pushed back against noncombustible facing. Nail with 4D finishing nails (provided), breast board first. Be careful not to hit the stone as you nail the scribe in place. Protect the stone with a piece of corrugated cardboard held or taped between stone and hammer as you nail. Use a nail set to set the nail head below surface of scribe, and fill the resulting hole with an appropriate filler.

11.



If using a hearth that fits between the leg opening, cut the scribe to allow for stone height between the legs. Place the scribe molding as shown above, positioning it so that it just contacts the noncombustible surround. Be careful not to hit the facing material when nailing the scribe in place. No cutting is needed if hearth exceeds mantel legs.

12.



Caulk the mantel to the wall all the way around, using a caulk that matches your mantel color. This will eliminate any remaining gap between mantel and wall.

**YOUR INSTALLATION IS COMPLETE.**



Fireside Furnishings, a brand of Hearth & Home Technologies, Inc.  
www.fireplaces.com

**Please contact your Fireside Furnishings dealer with any questions or concerns.**

-Notes-

---

---

---

---

---

---

---

---

**CAUTION**

**DO NOT DISCARD THIS MANUAL**



- Important operating and maintenance instructions included.
- Read, understand and follow these instructions for safe installation and operation.
- Leave this manual with party responsible for use and operation.

